

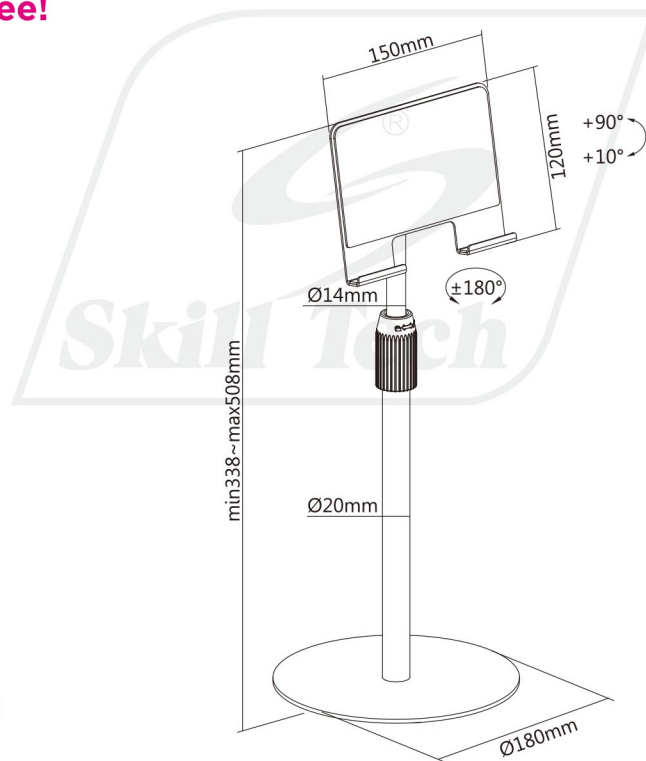
# SH PAD30 04

## Height Adjustable Tabletop Stand

Fit for Most 4.7"-12.9" Tablets/Phone

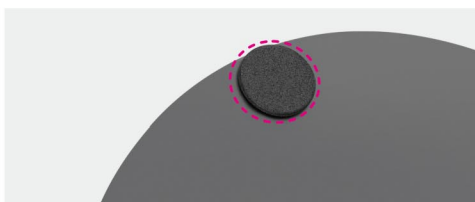


Firmly Holds Devices at the Optimal Viewing for **Going Hands-Free!**



 For Phone, tablet

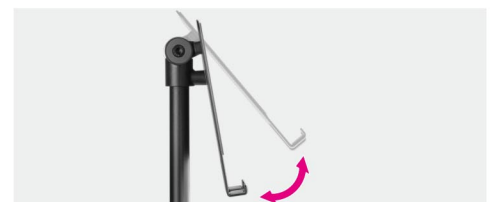
 **RATED**  
Weight Capacity  
**1kg/2.2lbs**



**Anti-Slip EVA Pads**  
Prevent scratches to surfaces.



**Height Adjustment with Release Knob**



**Freely Tilt**