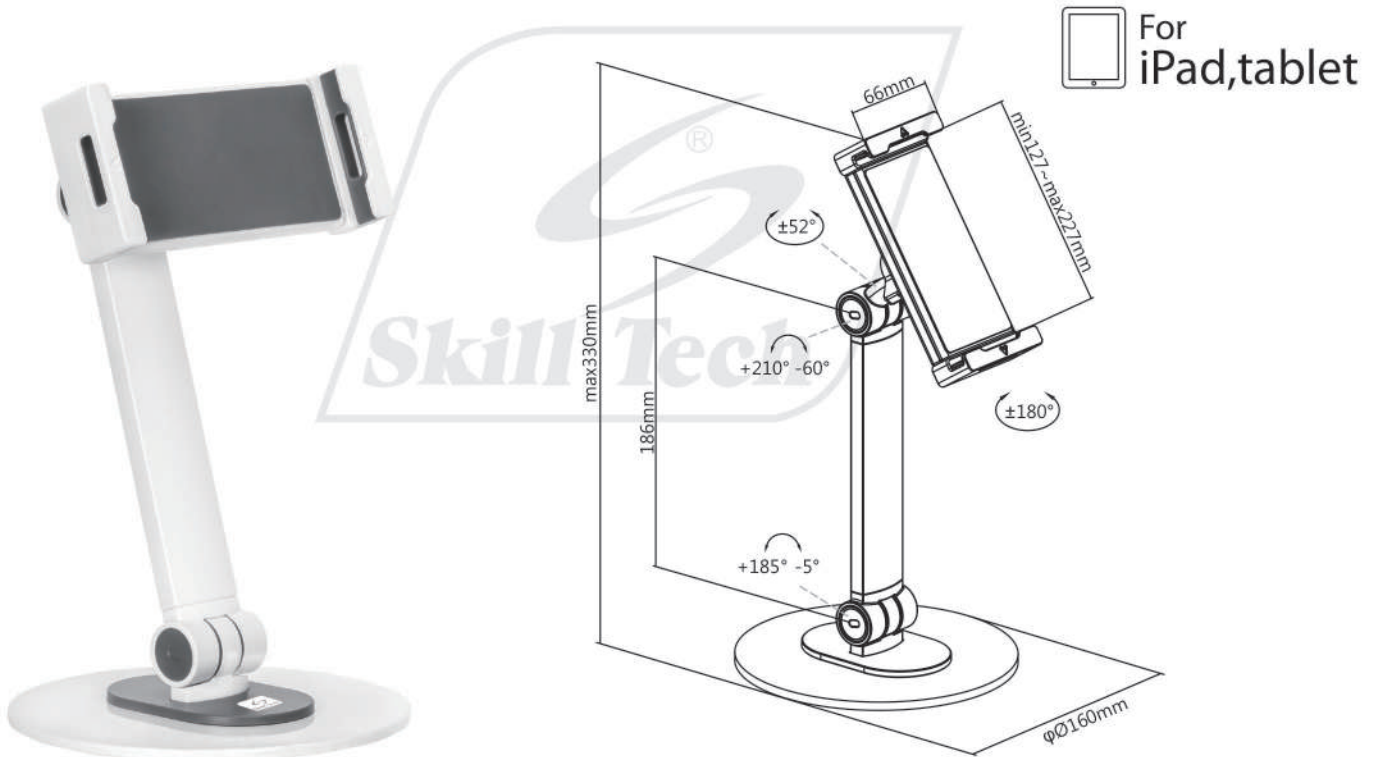


SH PAD 30

Universal Tablet Desk Stand

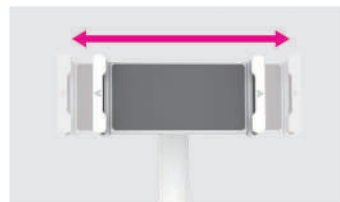
Fit for Most 4.7"-12.9" Tablets, iPad Pro



3 Pivoting Points
Create flexible height and viewing angle adjustment.



360° Rotation
For placing your device in portrait or landscape position.



Retractable Holder
Grabs different sizes of tablets firmly.



Anti-Slip Rubber Pads
Prevent scratches to surfaces.