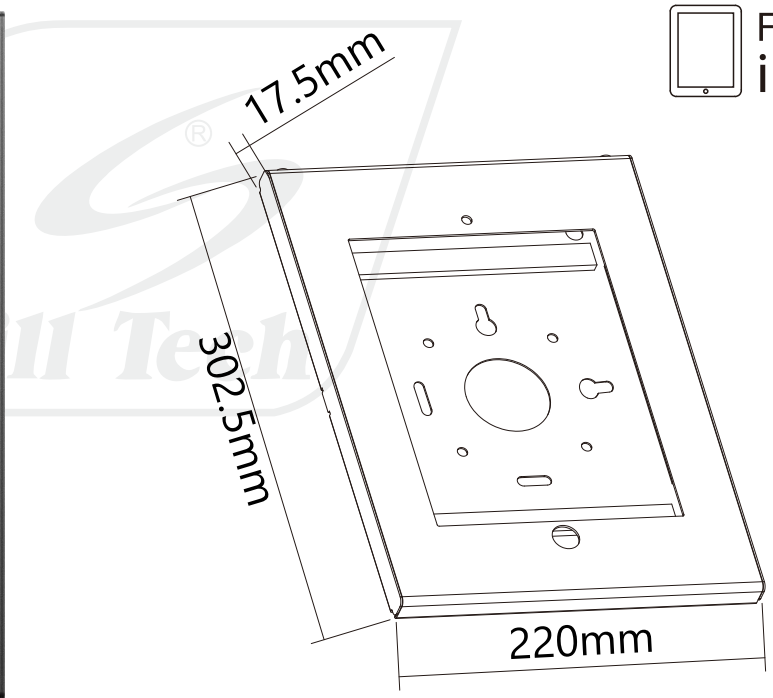
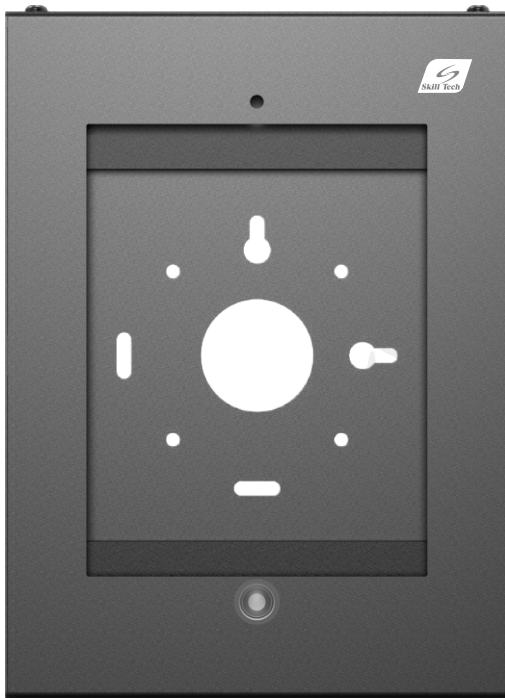


SH 260-01

Anti-theft Enclosure

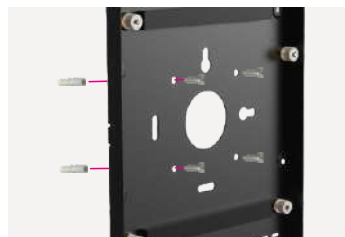
For iPad 2/3/4/Air/Air 2



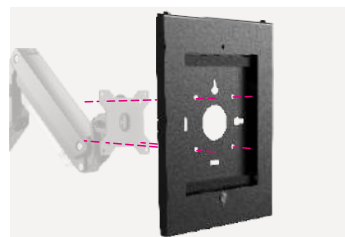
 For iPad



Anti-Theft Design
protects your property



Easily Attach to the Wall
for quick installation



VESA 75x75 Compatible
for multiple applications



External Cable Management
creates a clean look